



Optional hydraulic breaker arm with hammer



Available in 3 versions, the UJ440i is versatile, extremely reliable and offers superior rates of production.

UJ440i CLASSIC

- With grizzly feeder and live under screen
- For use on unclean rock and gravel with high fines content

UJ440i COMFORT

- With grizzly feeder and integrated screen deck
- For use on rock and gravel



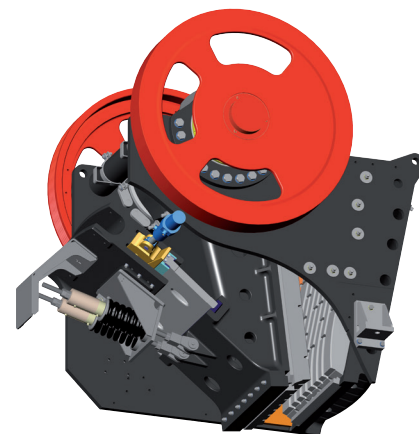
UJ440i TREND

- With pan feeder and live pre screen
- For use on unclean rock and gravel with high fines content



CJ412 JAW

- Very rigid casted mainframe and swing jaw
- Jaw plates can be rotated and are interchangeable
- Cheek plates for protection of side plates in two parts
- Wear plate protects the front frame end
- Intermediate plate protects the swing jaw
- Lubrication free toggle plate
- Heavy duty bearing assembly to ensure the longest life expectancy
- Shaft line assembly, the heart of the swing jaw, has been designed for durability and to withstand the toughest working conditions
- Fully hydraulic adjustable jaw setting

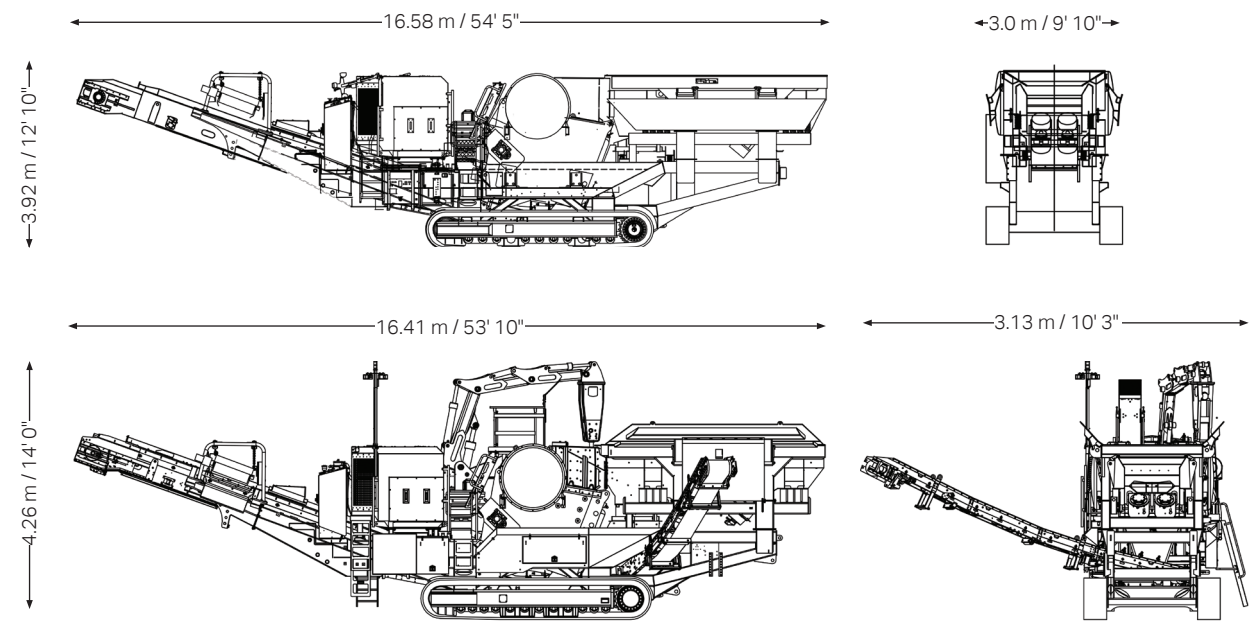


TECHNICAL SPECIFICATIONS

KEY SPECIFICATIONS	DATA
Crusher type	Single toggle – CJ412
Feed opening	1200 mm x 830 mm / 47" x 33"
Speed	240 rpm
CSS range	100 - 275 mm / 4" - 11"
Drive	Direct via V belts
Adjustment type	Hydraulic wedge

KEY SPECIFICATIONS	DATA
Powerpack	
Engine	Volvo D13 Stage 2 / Tier 2 Volvo D13 Tier 4 Final
Engine power	315 kW / 422 hp
Diesel tank capacity	1125 litres / 297 USG
Hydraulic tank capacity	415 litres / 110 USG

Note. All weights and dimensions are for standard units only.



Weight Classic 63,000 kg / 138,890 lbs

Classic	
Transport dimensions	16.58 m / 54' 5" (l) 3.0 m / 9' 10" (w) 3.92 m / 12' 10" (h)
Working dimensions	16.41 m / 53' 10" (l) 3.13 m / 10' 3" (w) 4.26 m / 14' 0" (h)

Weight Classic 63,000 kg / 138,890 lbs

Comfort	
Transport dimensions	16.58 m / 54' 5" (l) 3.0 m / 9' 10" (w) 3.92 m / 12' 10" (h)
Working dimensions	16.41 m / 53' 10" (l) 3.13 m / 10' 3" (w) 4.26 m / 14' 0" (h)

Weight Comfort 63,000 kg / 138,890 lbs

Trend	
Transport dimensions	17.93 m / 58' 10" (l) 3.0 m / 9' 10" (w) 3.92 m / 12' 10" (h)
Working dimensions	17.75 m / 58' 3" (l) 3.70 m / 12' 2" (w) 4.95 m / 16' 3" (h)

Weight Trend 74,000 kg / 163,142 lbs



SANDVIK UJ440i JAW CRUSHER

WORLD LEADING JAW CRUSHER



EJ-45 ENG © Sandvik Mining and Rock Technology 2020 SANDVIK is a registered trademark owned by Sandvik Intellectual Property AB in Sweden and other countries. Subject to change without notice.

ROCKTECHNOLOGY.SANDVIK

The material in this brochure is of general application for information and guidance only, and no representation or warranty is made or given by the manufacturer that its products will be suitable for a customer's particular purpose and enquiry should always be made of the manufacturer to ensure such suitability. Whilst every effort has been made in the preparation of this document to ensure its accuracy, the manufacturer assumes no liability resulting from errors or omissions in this document, or from the use or interpretation of the information contained herein. The manufacturer reserves the right to make changes to the information in this brochure and the product design without reservation and without notification to users.

UJ440i JAW CRUSHER

KEY SPECIFICATIONS	DATA
Equipment	Sandvik CJ412 jaw crusher
Feed opening	1200 x 830 mm / 47" x 33"
Optimum feed size	760 mm / 30"
Engine	D13 315 kW / 422 hp
Transport dimensions	
Classic	16.58 m / 54' 5" (l) 3.00 m / 9' 10" (w) 3.92 m / 12' 10" (h)
Trend	17.93 m / 58' 10" (l) 3.00 m / 9' 10" (w) 3.92 m / 12' 10" (h)
Weight Classic	63,000 kg / 138,890 lbs
Weight Comfort	63,000 kg / 138,890 lbs
Weight Trend	74,000 kg / 163,142 lbs

PROVEN RELIABILITY

If you are looking for a high quality, tracked mobile jaw crusher that is robust and built to last, then look no further than our UJ440i. This heavy duty workhorse has proved capable of working throughout the world in all climatic conditions.

The UJ440i is fitted with the Sandvik CJ412 jaw crusher with a large feed opening of 1200 mm x 830 mm / 47" x 33" for reliability and performance. It has a hydraulically adjustable CSS setting with wedges and a choice of jaw plates to suit the particular needs of your operation.

Designed for minimal operator intervention, the UJ440i possesses a highly automated on-board "intelligence" system. This allows for simplicity of operation as the UJ440i is continuously and automatically monitored by the control system, enabling optimal performance and maximum productivity. This also assures a safe working environment for the operator.

FEATURES INCLUDE:

- Large feed opening for highest rates of production in its class
- High reduction and productivity through massive depth of crushing chamber - almost 2 m / 78"
- Hydraulically adjustable jaw setting for a variety of applications
- Automatic feeder control for uninterrupted production
- Extremely fuel efficient due to direct drive and low rpm diesel engine
- Extremely versatile and available in different variants to suit your requirements
- Available with CAT or Volvo engine to ensure we offer you the best local support

- 1 Main Conveyor**
- 1400 mm / 55" wide conveyor with a maximum discharge height of 4045 mm / 13'3"
 - Dust sealed conveyor
 - Impact bars, belt scrapers and self lubrication idlers for ease of maintenance
 - Canvas dust covers fitted as standard
 - Dust suppression spray bars (optional)
 - Overband magnet removes rebar for recycling and demolition applications

- 9 Natural Fines Conveyor**
- Belt width 500 mm / 19" natural fines conveyor with a discharge height of 3 m / 10'

- 8 Power Pack**
- Emissions compliant engine
 - CAT C13 328 kW / 440 engine option also available
 - Extremely fuel efficient due to direct drive and low rpm diesel engine
 - Easy access to engine compartment for service and maintenance
 - Large capacity 1125 litre / 297 US Gal diesel tank
 - Lighting mast with flashing beacon and warning lights
 - My Fleet telematics

- 2 Feeder**
- Large capacity vibrating variable speed stepped grizzly feeder
 - Automatic feeder control for uninterrupted production

- 3 Hopper**
- Reinforced hopper with hydraulically folding doors for quick setup
 - Fully rubber lined to protect against wear and reduce noise

- 4 Jaw**
- High performing CJ412 single toggle jaw
 - Feed opening 1200 mm x 830 mm / 47" x 33"
 - Hydraulically adjustable CSS for a variety of applications
 - Jaw plates can be rotated and interchanged to maximize wear life
 - Level sensors fitted to jaw to optimize feed rate into the crusher



- 5 Chassis**
- Heavy duty fabricated chassis on a tracked frame
 - Platforms are located around the crusher and power pack for easy access for service and maintenance

- 7 Control system**
- Highly efficient hydraulic and electrical system provides ultimate system control
 - 24 volt PLC and CanBus system in a sealed cabinet
 - User-friendly control with one touch sequential start-up system
 - LCD display screen with full diagnostic capability for total plant control

- 6 Tracks**
- 500 mm / 20" wide tracks driven by umbilical control
 - Radio remote control, proportional tracking as standard

STANDARD FEATURES



CJ412 jaw with hydraulically adjustable CSS



One touch sequential start-up system



Easy access to engine compartment



Radio remote control



Heavy duty undercarriage and hopper



Dust-sealed, wide main conveyor